



ATORNILLADORES ELECTRICOS DE PISTOLA, BRUSHLESS

Par medio con embrague y paro automático

■ Rango de par 0,3 ~ 7 Nm.



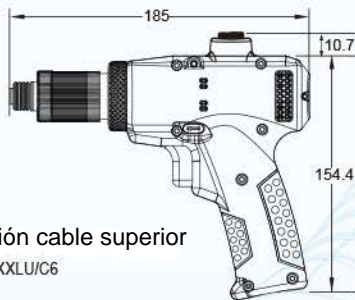
Conexión cable superior
EA-BTK620LU/C6 - EA-BTK670LU/C6



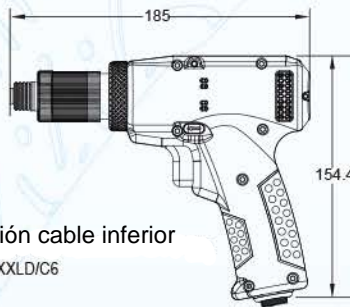
Conexión cable inferior
EA-BTK620LD/C6 - EA-BTK670LD/C6



EPAA50006-B6P-6N
(For BTK620-BTK670)

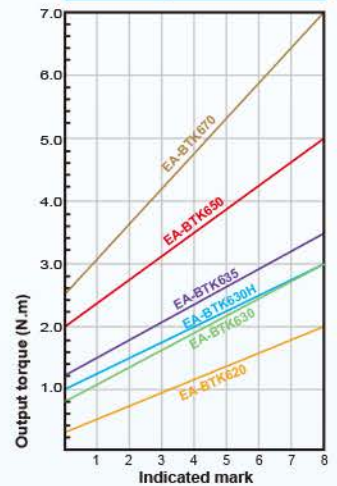


Conexión cable superior
EA-BTK6XXLU/C6



Conexión cable inferior
EA-BTK6XXLD/C6

Torque Curve



ESPECIFICACIONES:

Power Supply	Model No.	Torque Range±3%			Unloaded Speed ±10% (r.p.m.)		Available Screw				Net Weight		Overall Length		Power Source	Power Consumption	Bit Type
		kgf-cm	lbf-in	N.m	Hi	Lo	Machine Screw(ø)		Tapping Screw(ø)		g	lb	mm	in			
Top Cable Connection																	
■	EA-BTK620LU/C6	3.06~20.4	2.6~17.7	0.3~2.0	1200	900	2.3~3.5	0.09~0.13	2.3~3.0	0.09~0.12	700	1.54	185	7.28	DC40V	50W	A HEX 5mm B HEX 6.35mm
■	EA-BTK630LU/C6	8.16~30.6	7.1~26.5	0.8~3.0	1200	900	2.6~4.0	0.10~0.15	2.6~3.5	0.10~0.13	700	1.54	185	7.28	DC40V	50W	
NEW	EA-BTK630LHU/C6	10.2~30.6	8.9~26.5	1~3.0	3300	2480	2.0~4.0	0.08~0.15	2.0~3.5	0.08~0.13	700	1.54	185	7.28	DC40V	50W	
NEW	EA-BTK635LHU/C6	12.24~35.7	10.68~32.04	1.2~3.5	1700	1280	2.6~4.0	0.10~0.15	2.6~3.5	0.10~0.13	700	1.54	185	7.28	DC40V	50W	
■	EA-BTK650LU/C6	20.4~51	17.7~44.2	2~5	700	530	4.0~5.0	0.15~0.19	≤4	≤0.16	700	1.54	185	7.28	DC40V	50W	
NEW	EA-BTK650LHU/C6	20.4~51	17.7~44.2	2~5	1000	750	4.0~5.0	0.15~0.19	≤4	≤0.16	700	1.54	185	7.28	DC40V	50W	
■	EA-BTK670LU/C6	25.5~71.3	22.1~61.9	2.5~7	850	640	5.0~6.0	0.19~0.23	≤5	≤0.20	700	1.54	185	7.28	DC40V	50W	
Bottom Cable Connection																	
■	EA-BTK620LD/C6	3.06~20.4	2.6~17.7	0.3~2.0	1200	900	2.3~3.5	0.09~0.13	2.3~3.0	0.09~0.12	700	1.54	185	7.28	DC40V	50W	A HEX 5mm B HEX 6.35mm
■	EA-BTK630LD/C6	8.16~30.6	7.1~26.5	0.8~3.0	1200	900	2.6~4.0	0.10~0.15	2.6~3.5	0.10~0.13	700	1.54	185	7.28	DC40V	50W	
NEW	EA-BTK630LHD/C6	10.2~30.6	8.9~26.5	1~3.0	3300	2480	2.0~4.0	0.08~0.15	2.0~3.5	0.08~0.13	700	1.54	185	7.28	DC40V	50W	
NEW	EA-BTK635LHD/C6	12.24~35.7	10.68~32.04	1.2~3.5	1700	1280	2.6~4.0	0.10~0.15	2.6~3.5	0.10~0.13	700	1.54	185	7.28	DC40V	50W	
■	EA-BTK650LD/C6	20.4~51	17.7~44.2	2~5	700	530	4.0~5.0	0.15~0.19	≤4	≤0.16	700	1.54	185	7.28	DC40V	50W	
NEW	EA-BTK650LHD/C6	20.4~51	17.7~44.2	2~5	1000	750	4.0~5.0	0.15~0.19	≤4	≤0.16	700	1.54	185	7.28	DC40V	50W	
■	EA-BTK670LD/C6	25.5~71.3	22.1~61.9	2.5~7	850	640	5.0~6.0	0.19~0.23	≤5	≤0.20	700	1.54	185	7.28	DC40V	50W	

Screwdrivers come standard with bit type B HEX 6.35mm

CE=W/CE Certificate & ESD Housing. Example: For Tool W/ESD Model no. is EA-BNXXX/CE6, EA-BTKXXX/CE6

Nota 1: Se deben pedir con su fuente de alimentación pag.11

Nota 2: Los diferentes colores son para emparejar cada atornillador con su fuente.



ATORNILLADORES ELECTRICOS DE PISTOLA, BRUSHLESS

Alto par con embrague y paro automático

■ Rango de par 2 ~ 18 Nm.



Accionamiento por palanca

Conexión cable superior

EA-BTN960LU/C6 ~ EA-BTN9180LU/C6

Conexión cable inferior

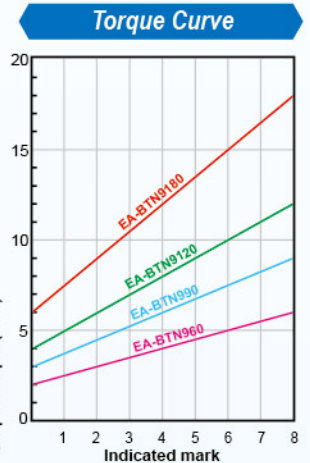
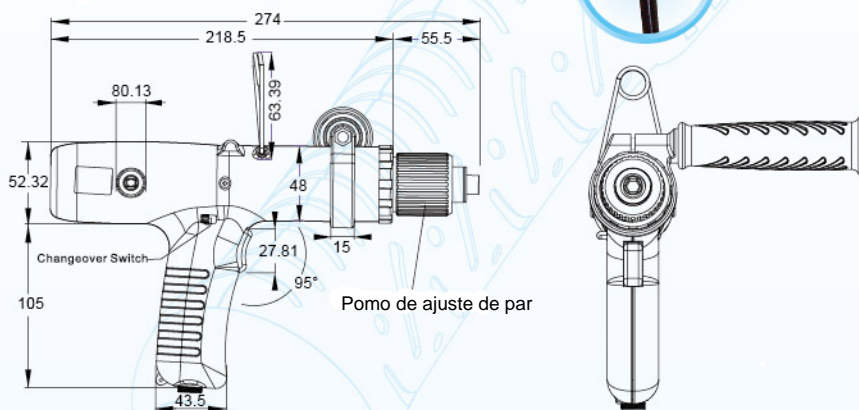
EA-BTN960LD/C6 ~ EA-BTN9180LD/C6

Para pedir con cuadrado de 3/8" poner " W " al final del numero del modelo.

Ejemplo:

EA-BTN960LDW/C6

Dimensiones externas unit:mm



ESPECIFICACIONES:

Power Supply	Model No.	Torque Range $\pm 5\%$			Unloaded Speed $\pm 10\%$ (r.p.m.)		Available Screw				Net Weight		Overall Length		Power Source	Power Consumption	Bit Type	
		kgf-cm	lbf-in	N.m	High	Low	Machine Screw (\varnothing)	Tapping Screw (\varnothing)	g	lb	mm	in						
Top Cable Connection																		
■	EA-BTN960LU/C6	20.4~61.2	17.7~53.11	2~6	1000	750	4.0~5.0	0.16~0.20	≤ 4	≤ 0.16	1250	2.75	274x157	10.8x6.2	DC40V	100W	B HEX 6.35mm	
■	EA-BTN990LU/C6	30.6~91.8	26.55~79.66	3~9	800	600	5.0~6.0	0.20~0.23	≤ 4.5	≤ 0.18	1250	2.75	274x157	10.8x6.2	DC40V	120W		
■	EA-BTN9120LU/C6	40.8~122.4	35.4~106.21	4~12	550	410	≤ 6	≤ 0.23	≤ 5	≤ 0.20	1250	2.75	274x157	10.8x6.2	DC40V	120W		
■	EA-BTN9180LU/C6	61.2~183.6	53.11~159.32	6~18	350	260	≤ 8	≤ 0.31	≤ 6	≤ 0.23	1250	2.75	274x157	10.8x6.2	DC40V	200W		
Bottom Cable Connection																		
■	EA-BTN960LD/C6	20.4~61.2	17.7~53.11	2~6	1000	750	4.0~5.0	0.16~0.20	≤ 4	≤ 0.16	1250	2.75	274x157	10.8x6.2	DC40V	100W	B HEX 6.35mm	
■	EA-BTN990LD/C6	30.6~91.8	26.55~79.66	3~9	800	600	5.0~6.0	0.20~0.23	≤ 4.5	≤ 0.18	1250	2.75	274x157	10.8x6.2	DC40V	120W		
■	EA-BTN9120LD/C6	40.8~122.4	35.4~106.21	4~12	550	410	≤ 6	≤ 0.23	≤ 5	≤ 0.20	1250	2.75	274x157	10.8x6.2	DC40V	120W		
■	EA-BTN9180LD/C6	61.2~183.6	53.11~159.32	6~18	350	260	≤ 8	≤ 0.31	≤ 6	≤ 0.23	1250	2.75	274x157	10.8x6.2	DC40V	200W		

Screwdrivers come standard with bit type B HEX 6.35mm

Nota 1: Se deben pedir con su fuente de alimentación pag. 11

Nota 2: Los diferentes colores son para emparejar cada atornillador con su fuente.